



ISA8500 Quick Start Guide

WHAT'S IN THE BOX

The ISA8500 ships with the following items



ISA8500 hardware



Power cable



C13/C14 cable



RJ45 to DB9 serial cable



Rack mount kit with parts

SUPPORT AND DOCUMENTATION

Technical support:

<https://www.ivanti.com/support/contact>

Admin and hardware guides: search Security Appliances Series from the below URL.

<https://www.ivanti.com/support/product-documentation>

Warranty: <https://www.ivanti.com/company/legal/hardware>

Copyright © 2026, Ivanti Inc. All rights reserved. All trademarks are the property of their respective owners. All specifications are subject to change without notice. Ivanti assumes no responsibility for any inaccuracies in this document. Ivanti reserves the right to change, modify, transfer, or otherwise revise this publication without notice.

PREPARE FOR NEXT STEPS

Collect the following information before you begin configuring your appliance:

IP address for the internal port _____

IP address of the management port _____

Network mask _____

Default gateway address _____

Primary DNS server address _____

Default DNS domain name _____

Common machine name _____

Organization name _____

If you are using a laptop, you may also need a serial DB9 to USB adapter.


For more information, refer: https://help.ivanti.com/ps/help/en_US/ISA/8500hw/landingpage.htm




Or scan:

① CONNECT CONSOLE AND NETWORK

Accessing ISA8500 Console through Console Server

1. Get the RJ45 to DB9 serial cable. 
2. Connect the RJ45 port in RJ45-to-DB9 serial cable to the console server and serial DB9 female to the ISA8500 console (DB male).
3. Configure a terminal emulation utility running on the laptop, such as HyperTerminal or PuTTY, connect using telnet to the console server IP and the port number it is connected to.
4. Connect a network cable from the INT port (internal port) on the appliance to a switch port.

Accessing ISA8500 Serial Console through Laptop

1. Get the USB-to-DB9 (female) cable (this cable is not provided by Ivanti). 
2. Connect the USB port to the laptop and serial DB9 female port to the ISA8500 console.
3. Configure a terminal emulation utility running on the laptop, such as HyperTerminal or PuTTY, to use these serial connection parameters: 9600 bits per second, 8-bit no parity (8N1), 1 stop bit, no flow control.
4. Connect a network cable from the INT port (internal port) on the appliance to a switch port.

③ CONFIGURE BASIC SETTINGS

1. On the console, at the prompt, enter "y" to select the stand-alone mode.
2. Read and accept the license terms (or enter r to read the license first).
3. Follow the directions in the console and enter the network information for which you are prompted.
4. The internal port should now be accessible on your network.
5. Disconnect the cable from the console port (Optional).

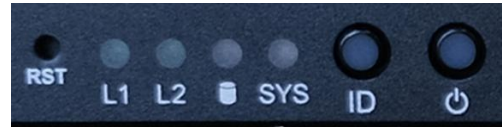


② POWER ON THE SYSTEM

1. Connect the AC power cord from the power supply to a power source.



2. Press the power switch on the front of the system.
3. Observe the status LEDs. It can take up to 60 seconds for status indicators to display.



4. After power on, go back to the console and press Enter until you are prompted by the initialization script.

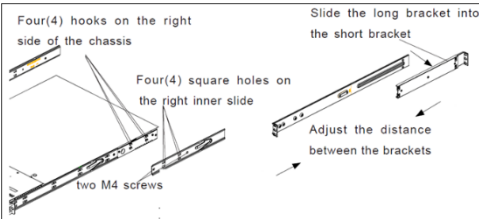
④ ACCESS THE WEB INTERFACE

1. Launch a web browser from a laptop that is network connected.
2. Navigate to the IP address that was assigned to the internal port followed by /admin (for example, <https://a.b.c.d/admin>).
3. Click Yes when prompted with the security alert to proceed without a signed certificate. Enter the administrator username and password you created earlier and click Sign In.
4. License the device and configure it. See the License Management Guide at <https://www.ivanti.com/support/product-documentation>
5. Congratulations! You have completed the initial configuration of your Ivanti Secure Appliance.

① RACK MOUNTING INSTRUCTIONS

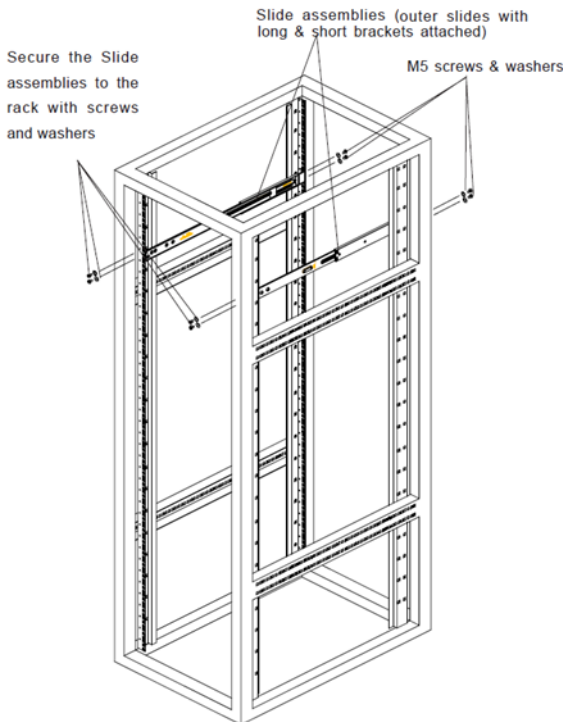
INSTALLING INNER SLIDES

1. Locate the right inner slide, (the slide that will be used on the right side of chassis when facing the front panel of the chassis).
2. Align the four(4) square holes on the right inner slide against the hooks on the right side of the chassis as shown in the illustration below.
3. Securely attach the slide to the chassis with two M4 flat head screws and repeat the steps 1-3 to install the left inner slide to the left side of the chassis.



③ INSTALLING SLIDE ASSEMBLIES TO THE RACK

1. After you have installed the short and long brackets to the outer slides, you are ready to install the whole slide assemblies (outer slides with short and long brackets attached) to the rack.
2. Use M5 screws and washers to secure the slide assemblies into the rack as shown in the illustration below.



② INSTALLING OUTER SLIDES

1. Measure the distance from the front rail of the rack to the rear rail of the rack.
2. Attach a short bracket to the rear side of the right outer slide, and a long bracket to the front side of the right outer slide as shown on the left.
3. Adjust the short and long brackets to the proper distance so that the chassis can snugly fit into the rack.
4. Secure the slides to the cabinet with screws. Repeat steps 1-4 for the left outer slide.

④ INSTALLING THE CHASSIS INTO THE RACK

1. Push the inner slides, which are attached to the chassis, into the grooves of the outer slide assemblies that are installed in the rack as shown in the first illustration below.
2. Push the chassis all the way to the back of the outer slide assemblies as shown in the second illustration below. (The plastic bezel is not included in the package.)

